



- (51) International Patent Classification:  
E21B 29/00 (2006.01) E21B 43/11 (2006.01)  
E21B 29/10 (2006.01)
- (21) International Application Number:  
PCT/US2010/021976
- (22) International Filing Date:  
25 January 2010 (25.01.2010)
- (25) Filing Language: English
- (26) Publication Language: English
- (30) Priority Data:  
12/365,667 4 February 2009 (04.02.2009) US
- (71) Applicant (for all designated States except US): **BUCKMAN JET DRILLING, INC.** [US/US]; 2413 Nashville Road, Ms C16, Suite 216, Bowling Green, KY 42101 (US).
- (72) Inventors; and
- (75) Inventors/Applicants (for US only): **BUCKMAN, William, G.** [US/US]; 504 Memphis Junction Road, Bowling Green, KY 42101 (US). **MAURER, William, C.** [US/US]; 10309 Indigo Broom Loop, Austin, TX 78733-5706 (US). **PEARL, Zachary, D.** [US/US]; 501 Creekwood Court, Bowling Green, KY 42101 (US).

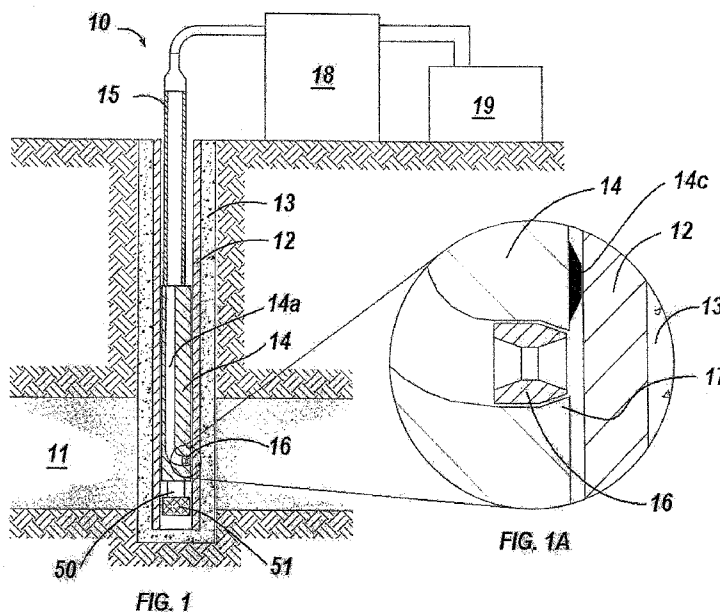
- (74) Agent: **ANJOM, Masood**; Baker Botts L.L.p., 910 Louisiana Street, Houston, TX 77002-4995 (US).
- (81) Designated States (unless otherwise indicated, for every kind of national protection available): AE, AG, AL, AM, AO, AT, AU, AZ, BA, BB, BG, BH, BR, BW, BY, BZ, CA, CH, CL, CN, CO, CR, CU, CZ, DE, DK, DM, DO, DZ, EC, EE, EG, ES, FI, GB, GD, GE, GH, GM, GT, HN, HR, HU, ID, IL, IN, IS, JP, KE, KG, KM, KN, KP, KR, KZ, LA, LC, LK, LR, LS, LT, LU, LY, MA, MD, ME, MG, MK, MN, MW, MX, MY, MZ, NA, NG, NI, NO, NZ, OM, PE, PG, PH, PL, PT, RO, RS, RU, SC, SD, SE, SG, SK, SL, SM, ST, SV, SY, TH, TJ, TM, TN, TR, TT, TZ, UA, UG, US, UZ, VC, VN, ZA, ZM, ZW.
- (84) Designated States (unless otherwise indicated, for every kind of regional protection available): ARIPO (BW, GH, GM, KE, LS, MW, MZ, NA, SD, SL, SZ, TZ, UG, ZM, ZW), Eurasian (AM, AZ, BY, KG, KZ, MD, RU, TJ, TM), European (AT, BE, BG, CH, CY, CZ, DE, DK, EE, ES, FI, FR, GB, GR, HR, HU, IE, IS, IT, LT, LU, LV, MC, MK, MT, NL, NO, PL, PT, RO, SE, SI, SK, SM, TR), OAPI (BF, BJ, CF, CG, CI, CM, GA, GN, GQ, GW, ML, MR, NE, SN, TD, TG).

**Declarations under Rule 4.17:**

— as to applicant's entitlement to apply for and be granted a patent (Rule 4.17(ii))

[Continued on next page]

(54) Title: PERFORATING AND JET DRILLING METHOD AND APPARATUS



(57) Abstract: Apparatus and method for drilling drainholes into a subterranean formation around a well are provided. A tool body on tubing directs a mechanical cutter or jet bit to the casing. A hole is cut in casing and a rotary detent mechanism may be used to drill additional holes through casing and enable reliable alignment of a jet bit with the holes for drilling drainholes without removing apparatus from the well. This method significantly reduces operating time to drill multiple laterals at a given depth in a wellbore. Disposable nozzles in a guide channel or nozzles on the tool body may be used for drilling through casing.

WO 2010/090891 A1