

(19) World Intellectual Property Organization
International Bureau



(43) International Publication Date
23 October 2003 (23.10.2003)

PCT

(10) International Publication Number
WO 03/087522 A2

- (51) International Patent Classification⁷: E21B
- (21) International Application Number: PCT/US03/10813
- (22) International Filing Date: 9 April 2003 (09.04.2003)
- (25) Filing Language: English
- (26) Publication Language: English
- (30) Priority Data:
10/119,790 10 April 2002 (10.04.2002) US

SG, SK, SL, TJ, TM, TN, TR, TT, TZ, UA, UG, US, UZ, VC, VN, YU, ZA, ZM, ZW.

(71) Applicant (for all designated States except US): **BUCKMAN JET DRILLING, INC.** [US/US]; 183 St. Charles Avenue, Bowling Green, KY 42101 (US).

(84) Designated States (regional): ARIPO patent (GH, GM, KE, LS, MW, MZ, SD, SL, SZ, TZ, UG, ZM, ZW), Eurasian patent (AM, AZ, BY, KG, KZ, MD, RU, TJ, TM), European patent (AT, BE, BG, CH, CY, CZ, DE, DK, EE, ES, FI, FR, GB, GR, HU, IE, IT, LU, MC, NL, PT, RO, SE, SI, SK, TR), OAPI patent (BF, BJ, CF, CG, CI, CM, GA, GN, GQ, GW, ML, MR, NE, SN, TD, TG).

(72) Inventors; and
(75) Inventors/Applicants (for US only): **BUCKMAN, William, G., Sr.** [US/US]; 504 Memphis Junction Road, Bowling Green, KY 42101 (US). **DOTSON, Thomas, L.** [US/US]; 2729 Smallhouse Road, Bowling Green, KY 42104 (US). **MCDANIELS, Michael, D.** [US/US]; 3061 South Fork Road, Glasgow, KY 42141 (US). **BELL, Wendell, S.** [US/US]; 7675 Edmonton Road, Glasgow, KY 42141 (US).

Declarations under Rule 4.17:

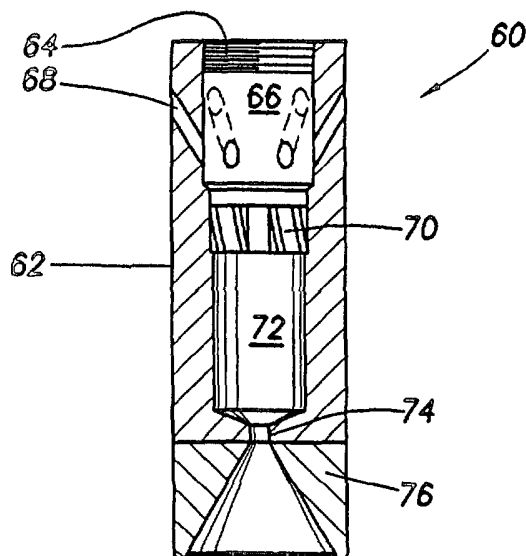
— as to applicant's entitlement to apply for and be granted a patent (Rule 4.17(ii)) for the following designations AE, AG, AL, AM, AT, AU, AZ, BA, BB, BG, BR, BY, BZ, CA, CH, CN, CO, CR, CU, CZ, DE, DK, DM, DZ, EC, EE, ES, FI, GB, GD, GE, GH, GM, HR, HU, ID, IL, IN, IS, JP, KE, KG, KP, KR, KZ, LC, LK, LR, LS, LT, LU, LV, MA, MD, MG, MK, MN, MW, MX, MZ, NO, NZ, OM, PH, PL, PT, RO, RU, SC, SD, SE, SG, SK, SL, TJ, TM, TN, TR, TT, TZ, UA, UG, UZ, VC, VN, YU, ZA, ZM, ZW, ARIPO patent (GH, GM, KE, LS, MW, MZ, SD, SL, SZ, TZ, UG, ZM, ZW), Eurasian patent (AM, AZ, BY, KG, KZ, MD, RU, TJ, TM), European patent (AT, BE, BG, CH, CY, CZ, DE, DK, EE, ES, FI, FR, GB, GR, HU, IE, IT, LU, MC, NL, PT, RO, SE, SI, SK, TR), OAPI patent (BF, BJ, CF, CG, CI, CM, GA, GN, GQ, GW, ML, MR, NE, SN, TD, TG)

(74) Agent: **COOKE, Claude, E., Jr.**; Baker Botts L.L.P., One Shell Plaza, 910 Louisiana, Houston, TX 77002-4995 (US).

— as to the applicant's entitlement to claim the priority of the earlier application (Rule 4.17(iii)) for the following designations AE, AG, AL, AM, AT, AU, AZ, BA, BB, BG, BR, BY, BZ, CA, CH, CN, CO, CR, CU, CZ, DE, DK, DM, DZ, EC, EE, ES, FI, GB, GD, GE, GH, GM, HR, HU, ID, IL, IN, IS,

[Continued on next page]

(54) Title: NOZZLE FOR JET DRILLING



(57) Abstract: A jet nozzle is provided for drilling holes through the earth, such as drainholes around a well. The nozzle may include orifices for discharging fluid to drive the nozzle forward and includes a disk or other device having orifices to produce a swirling motion to fluid in the body of the nozzle. Swirling fluid is discharged from a front orifice and an extension is placed forward of the front orifice to confine the swirling fluid in a radial direction.

WO 03/087522 A2